

## Low Profile Compression Disc

### FEATURES

- Capacities 0.1, 0.2, 0.3, 0.5, 60, 200 t
- IP66 protection
- Compact size with low profile
- Alloy steel construction
- (Low capacities 0.1, 0.2, 0.3 and 0.5 t aluminum construction)

### APPLICATIONS

- Testing machines
- Hopper/tank/vessel weighing

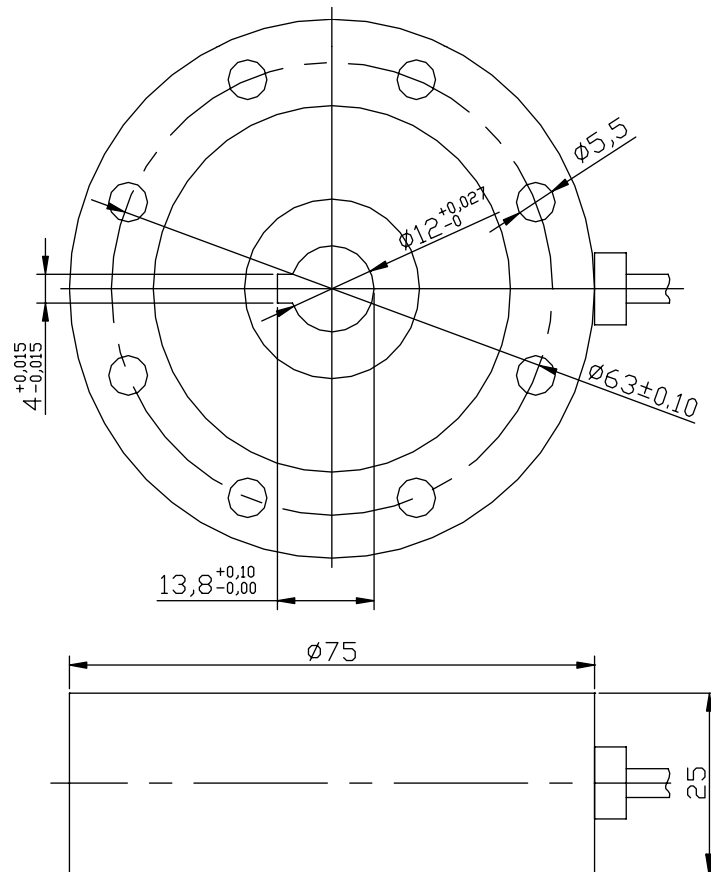
### DESCRIPTION

The Model MFT compression disc is a suitable solution for applications where critical height is a safety concern. The shear web design provides excellent performance even when side forces are inevitable in normal operations applications.

This product is suitable for testing machines, platform scales, hoppers and tank weighing.



### OUTLINE DIMENSIONS (100, 200, 300, 500 kg) in millimeters

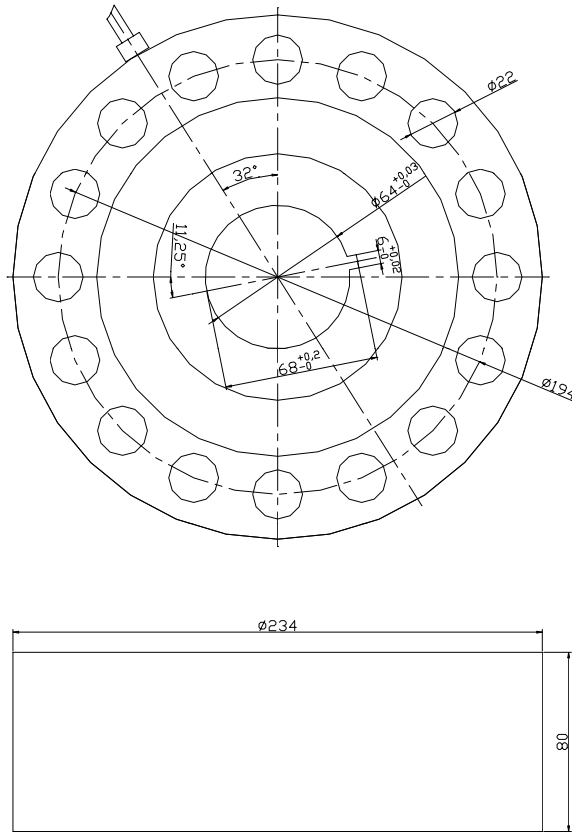


#### Cable specification

Cable length: 4 m  
 Excitation +: Red  
 Excitation -: Black  
 Output +: Green  
 Output -: White

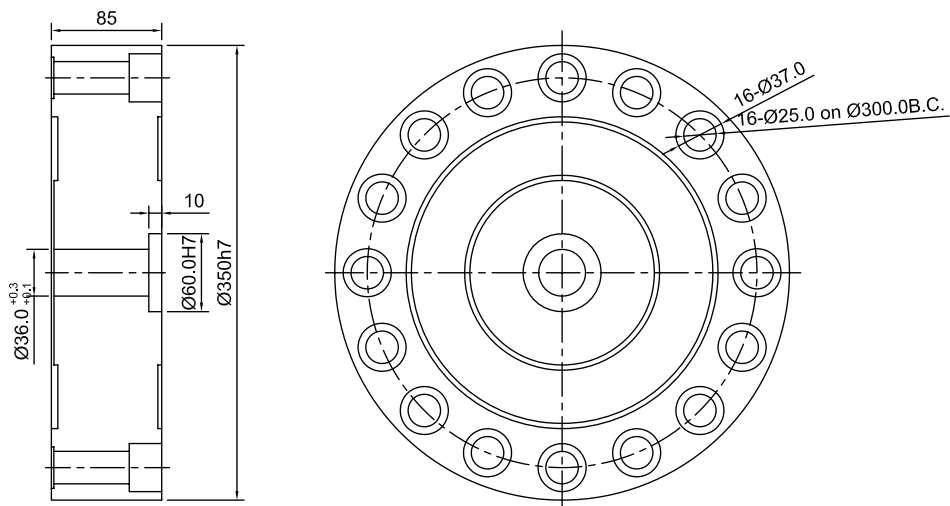
## Low Profile Compression Disc

### OUTLINE DIMENSIONS (60 t) in millimeters



Cable specification:  
Cable length: 8 m  
Excitation +: Red  
Excitation -: Black  
Output +: Green  
Output -: White

### OUTLINE DIMENSIONS (200 t) in millimeters



Low Profile Compression Disc

SPECIFICATIONS		
PARAMETER	VALUE	UNIT
Rated capacity—RC (Emax)	0.1, 0.2, 0.3, 0.5, 60, 200	t
Rated output—RO	2.0	mV/V
Rated output tolerance	10.0 (0.1, 0.2, 0.3, 0.5 t), 1.0 (60 t), 5.0 (200 t)	±% of RO
Zero balance	1.0 (0.1–60 t)      3.0 (200 t)	±% of RO
Zero return, 30 min.	0.03 (200 t)	±% of applied load
Zero return, 20 min.	0.05 (0.1–60 t)	±% of applied load
Temperature effect on zero on span	0.0026 (0.1–200 t) 0.0015 (0.1–60 t), 0.003 (200 t)	±% of RO/°C ±% of RO/°C
Nonlinearity	0.1 (0.1–200 t)	±% of RO
Nonrepeatability	0.05 (0.1–60 t), 0.02 (200 t)	±% of RO
Creep error (20 minutes)	0.05 (0.1–60 t)	±% of applied load
Creep error (30 minutes)	0.03 (200 t)	±% of applied load
Deflection at rated load	<0.5 (0.1–60 t), <1 (200 t)	mm
Hysteresis error	0.10 (0.1, 0.2, 0.3, 0.5, 200 t), 0.15 (60 t)	±% of RO
Temperature range, compensated	-10 to +40	°C
Temperature operating range, safe	-20 to +60	°C
Maximum safe central overload	150	% of RC
Ultimate central overload	200	% of RC
Excitation, recommended maximum	10 15	VDC VDC
Input impedance	1050 ±20 (0.1, 0.2 t), 350 ±15 (0.3, 0.5 t), 385 ±15 (60 t), 410 ±10 (200 t)	Ω
Output impedance	1050 ±20 (0.1, 0.2 t), 350 ±15 (0.3, 0.5 t), 350 ±15 (60 t), 350 ±3 (200 t)	Ω
Insulation resistance	>5000	MΩ
Cable length	4 (0.1–0.5 t), 8 (60 t), 10 (200 t)	m

RO—Rated Output  
RC—Rated Capacity

All specifications are subject to change without notice.



## Disclaimer

ALL PRODUCTS, PRODUCT SPECIFICATIONS AND DATA ARE SUBJECT TO CHANGE WITHOUT NOTICE.

Vishay Precision Group, Inc., its affiliates, agents, and employees, and all persons acting on its or their behalf (collectively, "VPG"), disclaim any and all liability for any errors, inaccuracies or incompleteness contained herein or in any other disclosure relating to any product.

The product specifications do not expand or otherwise modify VPG's terms and conditions of purchase, including but not limited to, the warranty expressed therein.

VPG makes no warranty, representation or guarantee other than as set forth in the terms and conditions of purchase. **To the maximum extent permitted by applicable law, VPG disclaims (i) any and all liability arising out of the application or use of any product, (ii) any and all liability, including without limitation special, consequential or incidental damages, and (iii) any and all implied warranties, including warranties of fitness for particular purpose, non-infringement and merchantability.**

Information provided in datasheets and/or specifications may vary from actual results in different applications and performance may vary over time. Statements regarding the suitability of products for certain types of applications are based on VPG's knowledge of typical requirements that are often placed on VPG products. It is the customer's responsibility to validate that a particular product with the properties described in the product specification is suitable for use in a particular application. You should ensure you have the current version of the relevant information by contacting VPG prior to performing installation or use of the product, such as on our website at [vpgsensors.com](http://vpgsensors.com).

No license, express, implied, or otherwise, to any intellectual property rights is granted by this document, or by any conduct of VPG.

The products shown herein are not designed for use in life-saving or life-sustaining applications unless otherwise expressly indicated. Customers using or selling VPG products not expressly indicated for use in such applications do so entirely at their own risk and agree to fully indemnify VPG for any damages arising or resulting from such use or sale. Please contact authorized VPG personnel to obtain written terms and conditions regarding products designed for such applications.

Product names and markings noted herein may be trademarks of their respective owners.

Copyright Vishay Precision Group, Inc., 2014. All rights reserved.