

Double-Ended Shear Beam Load Cell

FEATURES

- Capacities: 50k to 100k lbs
- Stainless steel construction

APPLICATIONS

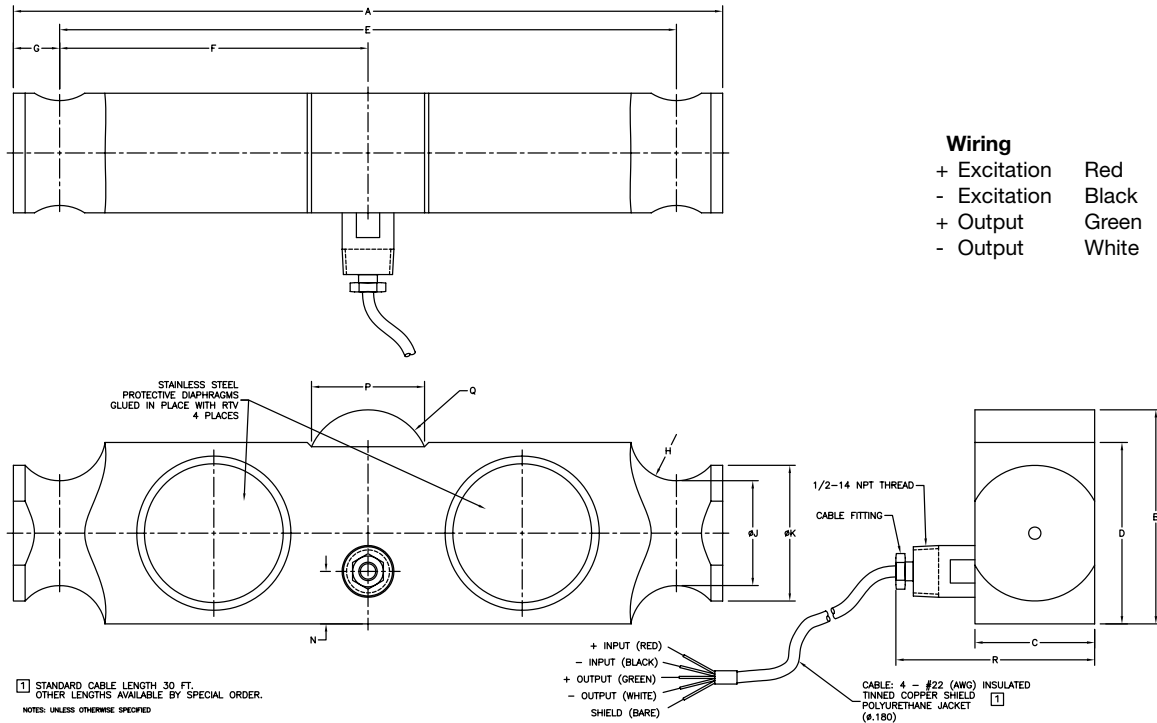
- Hopper/silo/tank weighing
- Weighbridges

DESCRIPTION

The 9903 is a double-ended beam-type load cell with a low profile design, specifically designed for applications where space is limited or special mounting required.



OUTLINE DIMENSIONS in millimeters



MODEL	CAPACITY	A	B	C	D	E	F	G	H	J	K	N	P	Q	R
Standard	50k, 60k, 75k, 100k	11.50	3.47	1.94	2.94	10.00	5.00	0.75	R.75	∅1.70	∅2.20	0.85	1.83	R1.00	3.22
Rat Proof															4.10

Capacities are in pounds.

Double-Ended Shear Beam Load Cell

SPECIFICATIONS			
PARAMETER	VALUE		UNIT
Standard Capacities	50k, 60k, 75k, 100k		lbs
Accuracy approval	NTEP		
Accuracy designation	A6	B10	
Accuracy class	IIIM	IIILM	
Certificate of conformance	00-050	00-050	
Maximum divisions, multipole cells	6000	10000	n _{max}
Minimum divisions size, single cell	0.0129	0.0043	v _{min}
Excitation voltage	10 nom, 15 max		VDC
Rated output	3 ±0.003		mV/V
Input resistance	700.0 ±7.0		Ω
Output resistance	700.0 ±7.0		Ω
Zero balance	1		±% FS
Insulation resistance at 50 VDC	≥5000		MΩ
Minimum dead load	0		% E _{max}
Maximum safe load limit	150		% E _{max}
Ultimate over load	300		% E _{max}
Safe side load limit	100		% E _{max}
Combined error	0.02		% FS
Non-linearity	0.02		% FS
Hysteresis	0.02		% FS
Non-repeatability	0.01		% FS
Zero return	0.0083	0.015	% load/30 min
Creep	0.025	0.03	% load/30 min
Temperature effect on output	0.08		% load/100°F
Temperature effect on zero	0.1		% FS/100°F
Compensated temperature range	-10 to +40 (+14 to +104)		°C (°F)
Operating temperature range	-53 to +93 (-65 to +200)		°C (°F)
Environmental protection	IP67		
Cable length	9 (30)		m (ft)
Cable type	4-wire shielded; shield is not connected to load cell body		
Element material	Stainless steel		

All specifications subject to change without notice.

Wiring color code:

- + Excitation Red
- Excitation Black
- + Output Green
- Output White



Disclaimer

ALL PRODUCTS, PRODUCT SPECIFICATIONS AND DATA ARE SUBJECT TO CHANGE WITHOUT NOTICE.

Vishay Precision Group, Inc., its affiliates, agents, and employees, and all persons acting on its or their behalf (collectively, "VPG"), disclaim any and all liability for any errors, inaccuracies or incompleteness contained herein or in any other disclosure relating to any product.

The product specifications do not expand or otherwise modify VPG's terms and conditions of purchase, including but not limited to, the warranty expressed therein.

VPG makes no warranty, representation or guarantee other than as set forth in the terms and conditions of purchase. **To the maximum extent permitted by applicable law, VPG disclaims (i) any and all liability arising out of the application or use of any product, (ii) any and all liability, including without limitation special, consequential or incidental damages, and (iii) any and all implied warranties, including warranties of fitness for particular purpose, non-infringement and merchantability.**

Information provided in datasheets and/or specifications may vary from actual results in different applications and performance may vary over time. Statements regarding the suitability of products for certain types of applications are based on VPG's knowledge of typical requirements that are often placed on VPG products. It is the customer's responsibility to validate that a particular product with the properties described in the product specification is suitable for use in a particular application. You should ensure you have the current version of the relevant information by contacting VPG prior to performing installation or use of the product, such as on our website at vpgsensors.com.

No license, express, implied, or otherwise, to any intellectual property rights is granted by this document, or by any conduct of VPG.

The products shown herein are not designed for use in life-saving or life-sustaining applications unless otherwise expressly indicated. Customers using or selling VPG products not expressly indicated for use in such applications do so entirely at their own risk and agree to fully indemnify VPG for any damages arising or resulting from such use or sale. Please contact authorized VPG personnel to obtain written terms and conditions regarding products designed for such applications.

Product names and markings noted herein may be trademarks of their respective owners.

Copyright Vishay Precision Group, Inc., 2014. All rights reserved.